

Safe, controlled starts

When the safety control lever is moved upward, the console moves with it, providing more room for entry and exit. To prevent unexpected machine movement during entry or exit, the pilot and travel controls are then disabled. This is the only time that the engine will crank over.

Straight travel

Kubota's Hydraulic Matching System keeps the U17-3 traveling in a straight line while operating the boom, assisting in loading and off-loading.

U17-3 OPTIONS

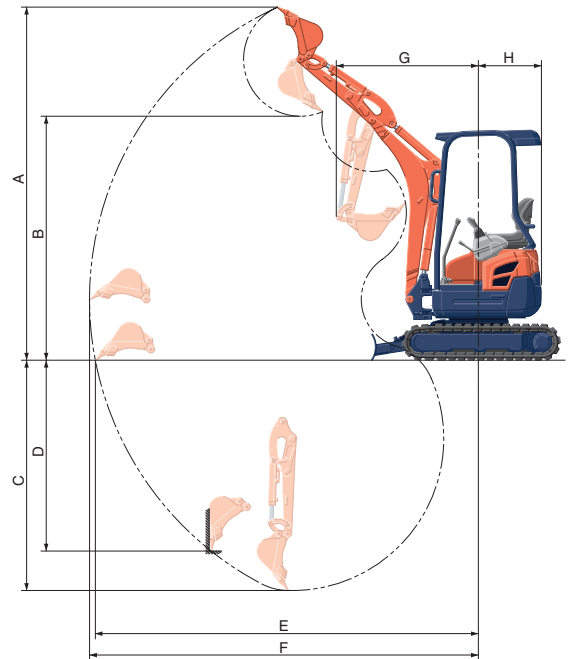
Quick coupler



Buckets

WORKING RANGE

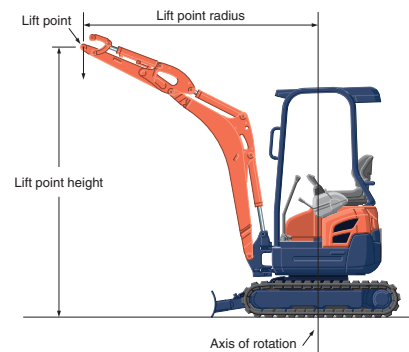
Model			U17-3	
A	Max. digging height	mm	3540	
B	Max. dumping height	mm	2440	
C	Max. digging depth	mm	2310	
D	Max. vertical digging depth	mm	1910	
E	Max. digging radius at ground	mm	3840	
F	Max. digging radius	mm	3900	
G	Min. turning radius	W/o swing	mm	1440
		With swing	mm	1215
H	Min. tail turning radius	mm	620	



LIFTING CAPACITY

LIFT POINT HEIGHT (mm)	LIFTING CAPACITY OVER-FRONT BLADE DOWN unit=1000 KGS				LIFTING CAPACITY OVER-SIDE unit=1000 KGS		
	LIFT POINT RADIUS (KGS)			LIFT POINT RADIUS (KGS)			
	2	2.5	3	2	2.5	3	
GL	2	0.28	0.32	-	0.28	0.24	-
	1.5	0.40	0.36	0.32	0.33	0.24	0.18
	1	0.55	0.41	0.33	0.31	0.23	0.17
GL	0	0.58	0.43	0.32	0.29	0.21	0.17

Machine with ROPS canopy and rubber crawler, without bucket

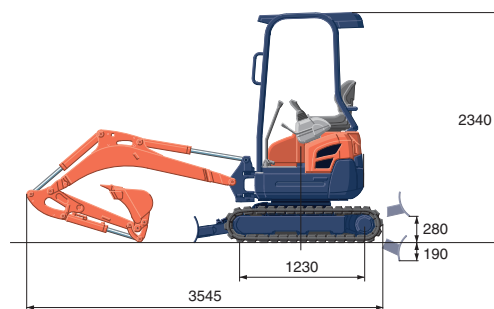
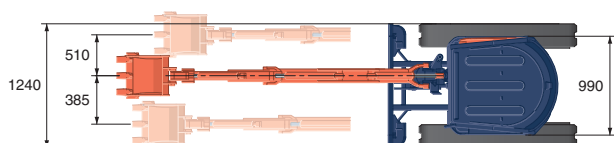


SPECIFICATIONS

Model		U17-3		
Type of ROPS / FOPS		Canopy		
Type of tracks		Rubber		
Engine	Model		Kubota D902-E3	
	Output (SAEJ 1995 gross)	HP (kW)/rpm	17.0 (12.7) / 2300	
	Output (SAEJ 1349 net)	HP (kW)/rpm	15.2 (11.3) / 2300	
	Displacement	cc	898	
Dimensions	Overall length	mm	3545	
	Overall height	mm	340	
	Overall width	mm	990 / 1240	
	Min. ground clearance	mm	150	
Hydraulic system	Pump capacity	ℓ /min	17.3 × 2 / 10.4 × 1	
	Auxiliary hydraulic flow	ℓ /min	27.7	
	Max. breakout force	Bucket / Arm	kgf	1550 / 870
Drive system	Travel speed	Low / High	km/h	2.1 / 4.1
	Max. drawbar pull		kgf	2207
	Tumbler distance		mm	1230
	Crawler length		mm	1585
	Shoe width		mm	230
	Ground contact pressure		kgf/cm ²	0.27
Swing system	Unit swing speed		rpm	9.1
	Boom swing angle	Left / Right	degree	65 / 58
Blade	Dimensions	Width	mm	1240 / 990
		Height	mm	260
	Max. lift above ground		mm	280
	Max. drop below ground		mm	190
Hydraulic oil (reservoir / system)		ℓ	13 / 23	
Fuel reservoir		ℓ	19	
Operating weight (Including operator's weight 80 kg.)		kgs	1730	

The company reserves the right to change specifications without notice. This brochure is for descriptive purposes only.
Please contact your local Kubota dealer for warranty information.
For your safety, Kubota strongly recommends the use of a Rollover Protective Structure (ROPS) and seat belt for almost all applications.

DIMENSIONS



Unit: mm

©2008 Kubota Corporation



KUBOTA Tractor Australia Pty Ltd

100 Keilor Park Drive, Tullamarine Vic., 3043
Freecall: 1800 334 653
Email: sales@kubota.com.au

Web Site: <http://www.kubota.com.au>