

U35-4 OPTIONS

STANDARD EQUIPMENT

Safety system

- Engine start safety system
- Travel motor with disc brake
- Swivel motor with disc brake
- Travel alarm

Working equipment

- Auxiliary hydraulic circuit 1 with proportional control on right control lever
- 2 working lights on cab/canopy and 1 light on the boom
- Dozer blade with float function

Operator's Space

- ROPS/OPG (Top Guard Level I) canopy
- Weight-adjustable full suspension seat
- Retractable seat belt
- Hydraulic pilot control levers with wrist rests
- Travel levers with foot pedals
- Two pattern selection system
- Digital panel with diagnosis function
- 12V power source
- Cup holder
- Horn

Engine/Fuel system

- Double element air filter
- Auto idling system
- Water separator with drain cock

Undercarriage

- 300mm rubber track
- 1 × upper track roller
- 4 double-flange track rollers on each side
- 2-speed travel switch on dozer lever
- 2-speed travel with auto-shift

Hydraulic system

- Pressure accumulator
- Hydraulic pressure checking ports
- Straight travel circuit
- Third line hydraulic return
- 2 variable pumps and 1 gear pump
- Adjustable maximum oil flow on auxiliary hydraulic circuits 1
- Auxiliary hold switch (AUX1) on right control lever

Others

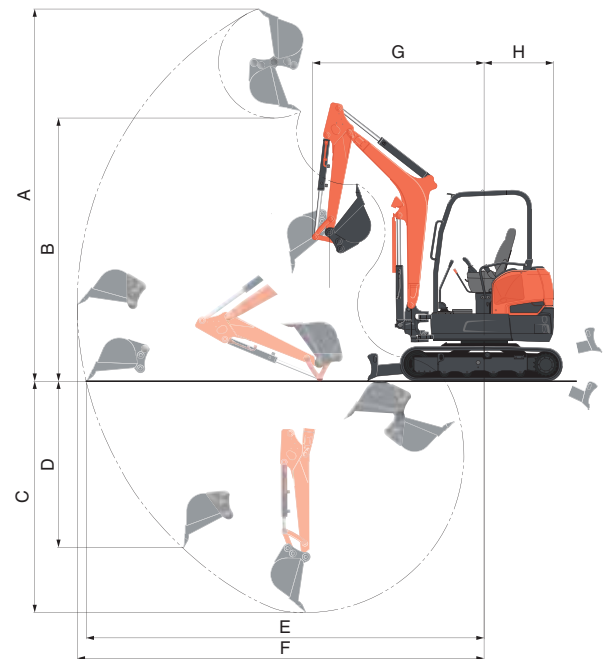
- Tool box
- Grease gun holder

OPTIONAL EQUIPMENT

- Cab with A/C
- Rear working lights
- Beacon lights

WORKING RANGE

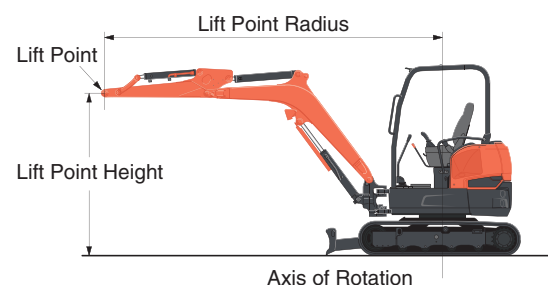
Model			U35-4	
A	Max. digging height	mm	4840	
B	Max. dumping height	mm	3400	
C	Max. digging depth	mm	3010	
D	Max. vertical digging depth	mm	2010	
E	Max. digging radius at ground	mm	5170	
F	Max. digging radius	mm	5280	
G	Min. turning radius	W/O swing	mm	2220
		W swing	mm	1760
H	Min. tail turning radius	mm	900	



LIFTING CAPACITY

LIFT POINT HEIGHT (m)	LIFTING CAPACITY OVER-FRONT BLADE DOWN unit=kg				LIFTING CAPACITY OVER-SIDE unit=kg		
	LIFT POINT RADIUS (m)				LIFT POINT RADIUS (m)		
	2.5	3.5	MAX	2.5	3.5	MAX	
2.5	—	560	570	—	560	410	
1.5	1040	680	580	880	530	360	
0.5	1410	820	600	820	500	350	
GL	0	1450	850	620	800	490	360

Machine with ROPS canopy and rubber crawler, without bucket



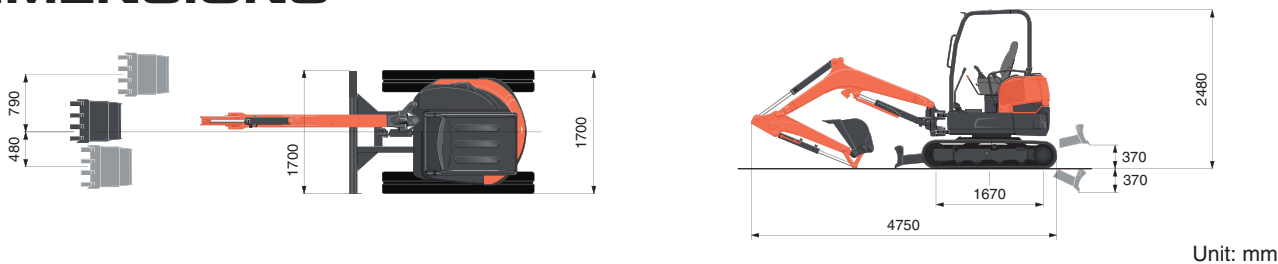
SPECIFICATIONS

Model		U35-4		
Type of ROPS / OPG (Top Guard Level I)*		Canopy / Cab		
Type of tracks		Rubber / Steel		
Engine	Model		Kubota D1703M-DI-E4	
	Output (SAE J1995 gross)	HP (kW) / rpm	24.8 (18.5) / 2200	
	Output (SAE J1349 net)	HP (kW) / rpm	23.9 (17.8) / 2200	
	Displacement	cc	1647	
Dimensions	Overall length	mm	4750	
	Overall height	Canopy / Cab	mm	2480 / 2470
	Overall width	mm	1700	
	Min. ground clearance	mm	290	
Hydraulic system	Pump capacity	ℓ/min	39.6 × 2 / 20.9 × 1	
	Auxiliary hydraulic flow	AUX1 ℓ/min	60	
	Max. breakout force	Bucket / Arm	kgf	2810 / 1920
Drive system	Travel speed	Low / High	km/h	3.0 / 4.6
	Max. traction force	Low speed	kgf	2760
	Tumbler distance	mm	1670	
	Crawler length	mm	2090	
	Shoe width	Rubber	mm	295
	Ground contact pressure	Rubber Canopy / Cab	kPa (kgf/cm ²)	34 (0.34) / 35 (0.36)
	Steel Canopy / Cab	kPa (kgf/cm ²)	34 (0.34) / 35 (0.36)	
Swing system	Unit swing speed	rpm	8.5	
	Boom swing angle	Left / Right	degree	70 / 48
Blade	Dimensions	Width	mm	1700
		Height	mm	340
	Max. lift above ground	mm	370	
	Max. drop below ground	mm	370	
Hydraulic oil (Reservoir / System)		ℓ	36 / 61	
Fuel reservoir		ℓ	45.0	
Operating weight (Including operator's weight @ 75 kg)	Rubber Canopy / Cab	kgs	3690 / 3830	
	Steel Canopy / Cab	kgs	3780 / 3920	

* OPG (Top Guard Level I) in accordance with ISO10262 is equivalent in definition to FOPS (Falling Object Protective Structure).

The company reserves the right to change the above specifications without notice. This brochure is for descriptive purposes only. Please contact your local Kubota dealer for warranty information. For your safety, Kubota strongly recommends the use of a Rollover Protective Structure (ROPS) and seat belt for almost all applications.

DIMENSIONS



©2013 Kubota Corporation

Kubota

KUBOTA Tractor Australia Pty Ltd

25-29 Permas Way, TRUGANINA Vic, 3029
 Freecall: 1800 334 653
 Email: sales@kubota.com.au

Web Site: <http://www.kubota.com.au>

CB Norwood Distributors Ltd

PO Box 1265, 888 Tremaine Avenue,
 Palmerston North 0800 KUBOTA
 Tel: 06 356 4920 Fax: 06 356 4939

Web Site: <http://www.kubota.co.nz>